

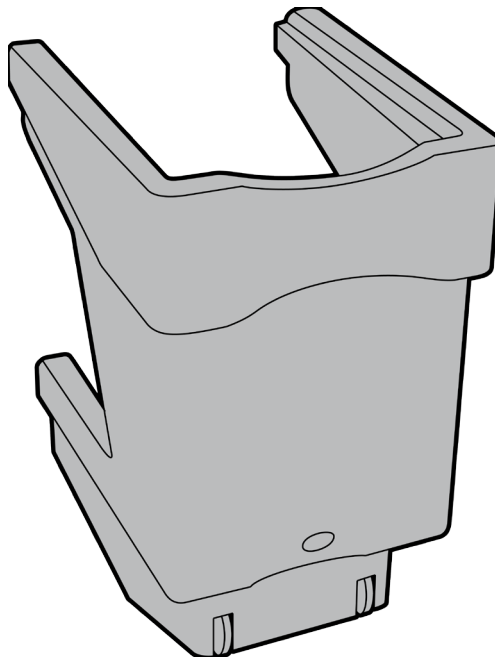


# NEXUS<sup>TM</sup> CADDY

## INSTRUCTIONS

IMPORTANT NOTE: ENSURE THAT ALL RELEVANT PERSONNEL READ THESE INSTRUCTIONS PRIOR TO USE

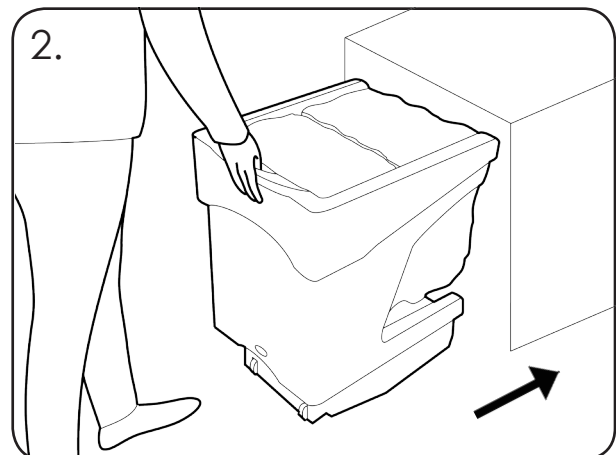
Please also refer to the 'Manual Handling Operations Regulations 1992' during the handling of the product and materials used for installation. Glasdon recommends that a full Health and Safety analysis is carried out prior to installation.



### INSTALLATION INSTRUCTIONS

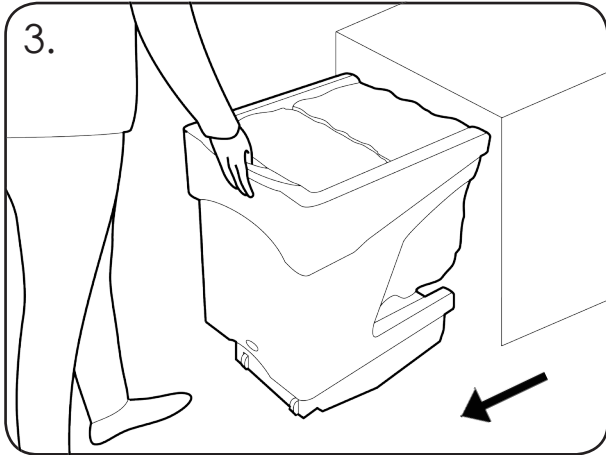


Lift up the sack retention and place the bag inside the caddy. Hook the bag over the sack retention band(s). Push the sack downwards back into position to secure the sack.

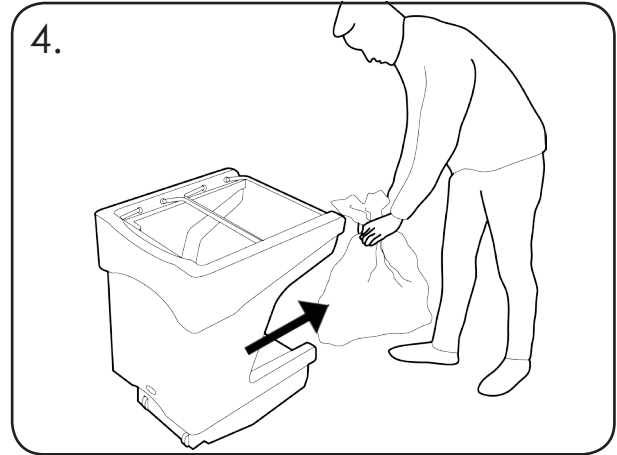


Using the integrated handle lip, wheel the unit into position.

## OPERATING INSTRUCTIONS

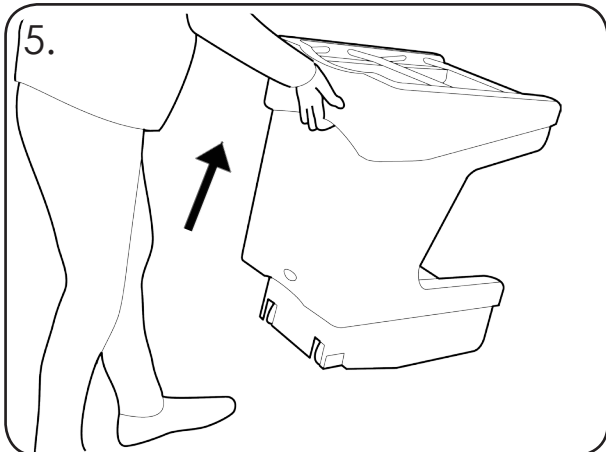


3. Using the integrated handle lip, wheel out the unit to deposit waste or to check how full the sacks are.

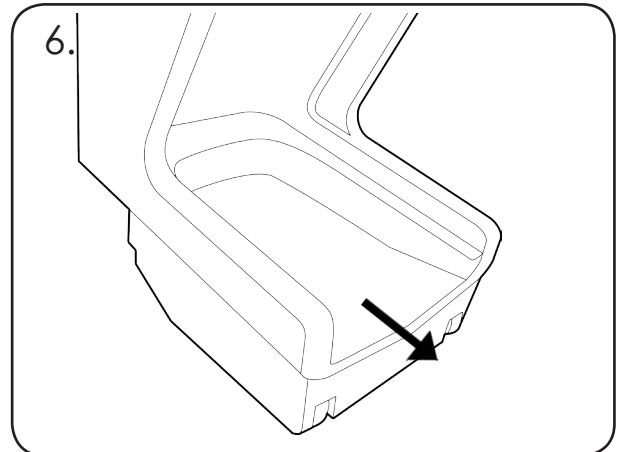


4. To remove the sacks, lift up the sack retention band and pull out the sacks from the rear of the unit, for safe manual handling.

## CLEANING INSTRUCTIONS



5. Use the recessed lifting handle to tip the unit to remove any spilled liquids collected in the drip tray.



6. By tipping the unit slightly any liquids will flow out of the unit from the central spout. The drip tray can be easily cleaned using hot soapy water once emptied.

**IMPORTANT NOTE:** PLEASE ENSURE THAT ALL RELEVANT PERSONNEL READ THE POINTS LISTED WITHIN THIS LEAFLET AND THAT A COPY IS GIVEN TO STAFF INVOLVED WITH THE INSTALLATION AND MAINTENANCE OF THIS PRODUCT.

**SAFETY NOTE:** PLEASE REFER TO 'THE MANUAL HANDLING OPERATIONS REGULATIONS 1992' DURING HANDLING.

 **Glasdon** AND NEXUS ARE TRADEMARKS OR REGISTERED TRADEMARKS OF GLASDON GROUP OR ITS SUBSIDIARIES IN THE U.K. AND OTHER COUNTRIES

- A planned maintenance schedule or regular inspection is recommended, replacing components as necessary.
- Replacement components are available direct from GLASDON.
- GLASDON cannot be held responsible for claims arising from incorrect installation, unauthorised modifications or misuse of the product.

Issue 1 - OCTOBER 2016 - Stock No. C000/0491 DWG No. 07B-364-09

© Copyright OCTOBER 2016

Glasdon UK Ltd reserve the right to alter specifications without prior notice.



**Glasdon U.K. Limited**

Preston New Road  
BLACKPOOL  
Lancashire FY4 4UL  
Tel. : 01253 600410  
Fax : 01253 792558  
e-mail: sales@glasdon-uk.co.uk  
web: www.glasdon.com